

This Page Is Inserted by IFW Operations
and is not a part of the Official Record

BEST AVAILABLE IMAGES

Defective images within this document are accurate representations of the original documents submitted by the applicant.

Defects in the images may include (but are not limited to):

- BLACK BORDERS
- TEXT CUT OFF AT TOP, BOTTOM OR SIDES
- FADED TEXT
- ILLEGIBLE TEXT
- SKEWED/SLANTED IMAGES
- COLORED PHOTOS
- BLACK OR VERY BLACK AND WHITE DARK PHOTOS
- GRAY SCALE DOCUMENTS

IMAGES ARE BEST AVAILABLE COPY.

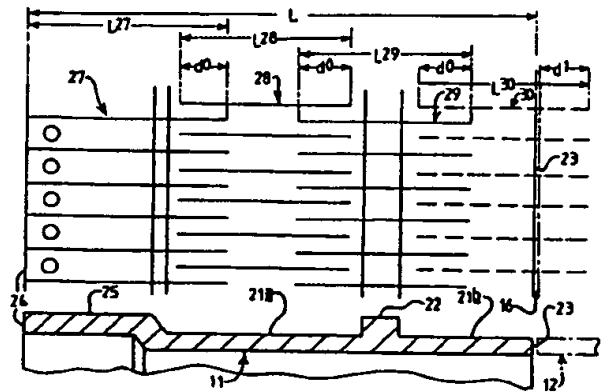
**As rescanning documents *will not* correct images,
please do not report the images to the
Image Problem Mailbox.**



INTERNATIONAL APPLICATION PUBLISHED UNDER THE PATENT COOPERATION TREATY (PCT)

(51) International Patent Classification ⁶ : B26F 1/00, B26D 5/00	A1	(11) International Publication Number: WO 99/25524
		(43) International Publication Date: 27 May 1999 (27.05.99)
(21) International Application Number: PCT/GB98/03478	(81) Designated States: BR, GB, US, European patent (AT, BE, CH, CY, DE, DK, ES, FI, FR, GB, GR, IE, IT, LU, MC, NL, PT, SE).	
(22) International Filing Date: 19 November 1998 (19.11.98)		
(30) Priority Data: 9724335.6 19 November 1997 (19.11.97) GB	Published With international search report.	
(71) Applicant (for all designated States except US): ENGINEERING WITH EXCELLENCE (SCOTLAND) LIMITED (GB/GB); Units 15-16 Ashley Group Base, Pitmedden Road, Dyce, Aberdeen AB21 0DP (GB).		
(72) Inventor; and (75) Inventor/Applicant (for US only): RUDD, Wayne (GB/GB); 32 Conglass Drive, Netherfield Estate, Inverurie, Aberdeen AB51 4LB (GB).		
(74) Agent: FORRESTER KETLEY & CO.; Chamberlain House, Paradise Place, Birmingham B3 3HP (GB).		

(54) Title: METHOD AND APPARATUS FOR MANUFACTURING AN EXPANDABLE SLOTTED TUBE



(57) Abstract

A method of manufacturing an expandable slotted tube (10) fabricated from at least one tubular element (12, 14) and at least two annular elements (11, 13, 15) connected to the opposite ends of the tubular element by means of butt joints wherein axially extending slots are formed at a uniform angular spacing around the periphery of the tube and in longitudinally overlapping relation characterised by cutting said annular elements (11, 13, 15) in a pattern of overlapping positionally fixed slots (27, 28, 29, 46, 37, 38, 39) in accordance with invariable parameters which are pre-determined relative to the dimensions of said annular elements (11, 13, 15) and cutting in said tubular element a pattern of slots (30, 45, 47, 40) that is variable in accordance with measured parameters of the tube so as to achieve the required overlap between said positionally fixed and variable slots. A machine for carrying out the method is also described.

FOR THE PURPOSES OF INFORMATION ONLY

Codes used to identify States party to the PCT on the front pages of pamphlets publishing international applications under the PCT.

AL	Albania	ES	Spain	LS	Lesotho	SI	Slovenia
AM	Armenia	FI	Finland	LT	Lithuania	SK	Slovakia
AT	Austria	FR	France	LU	Luxembourg	SN	Senegal
AU	Australia	GA	Gabon	LV	Latvia	SZ	Swaziland
AZ	Azerbaijan	GB	United Kingdom	MC	Monaco	TD	Chad
BA	Bosnia and Herzegovina	GE	Georgia	MD	Republic of Moldova	TG	Togo
BB	Barbados	GH	Ghana	MG	Madagascar	TJ	Tajikistan
BE	Belgium	GN	Guinea	MK	The former Yugoslav Republic of Macedonia	TM	Turkmenistan
BF	Burkina Faso	GR	Greece	ML	Mali	TR	Turkey
BG	Bulgaria	HU	Hungary	MN	Mongolia	TT	Trinidad and Tobago
BJ	Benin	IE	Ireland	MR	Mauritania	UA	Ukraine
BR	Brazil	IL	Israel	MW	Malawi	UG	Uganda
BY	Belarus	IS	Iceland	MX	Mexico	US	United States of America
CA	Canada	IT	Italy	NE	Niger	UZ	Uzbekistan
CF	Central African Republic	JP	Japan	NL	Netherlands	VN	Viet Nam
CG	Congo	KE	Kenya	NO	Norway	YU	Yugoslavia
CH	Switzerland	KG	Kyrgyzstan	NZ	New Zealand	ZW	Zimbabwe
CI	Cote d'Ivoire	KP	Democratic People's Republic of Korea	PL	Poland		
CM	Cameroon	KR	Republic of Korea	PT	Portugal		
CN	China	KZ	Kazakhstan	RO	Romania		
CU	Cuba	LC	Saint Lucia	RU	Russian Federation		
CZ	Czech Republic	LI	Liechtenstein	SD	Sudan		
DE	Germany	LK	Sri Lanka	SE	Sweden		
DK	Denmark	LR	Liberia	SG	Singapore		
EE	Estonia						

Method and apparatus for manufacturing an expandable slotted tube.

Description of Invention

This invention relates to expandable slotted tube which is used primarily in bore holes to form a lining which prevents collapse of the wall of the bore hole whilst allowing substantially unrestricted flow of fluids from the surrounding strata into the bore hole.

The use of such expandable slotted tube is described particularly in WO-A-93/25800. The expandable slotted tube (or "liner" as it is referred to therein) is a product which can with advantage be used in all aspects of well life, including drilling, completion, well intervention and abandonment. Conventional oil field technology is based on inserting articles of fixed size into the well bore, and well construction is normally such that the size of the bore progressively reduces from the well head down to the reservoir to be tapped. This can lead to an unworkably small bore size at the required depth, leading to compromises in well operability or, in an extreme case, resulting in failure to reach the reservoir at a bore size sufficient to enable the reserves to be exploited.

The use of expandable slotted tube provides flexibility to cope with unexpected problems during both drilling and completion of the well and also during the life of the well as compared with conventional well construction techniques.

In particular, expandable slotted tube can be designed to fit most well bore sizes, whilst being made small enough to pass through pre-existing restrictions in the bore. This is largely as a result of the phenomenon known as "surplus expansion" which occurs when the expandable slotted tube is expanded by drawing an expansion mandrel through it, that is to say the

expanded internal diameter of the tube increases to a value greater than that of the maximum outside diameter of the expansion mandrel by a factor which is dependent at least in part on the mandrel design.

The expandable slotted tube as described in WO-A-93/25800 can be expanded up to 200% of its original diameter and can in theory be made in any size or length.

However, there are problems in the manufacture of such expandable slotted tube, and in particular in ensuring uniform radial expansion.

In practice, the tube in which the slots have to be formed will, in general, not be accurately cylindrical and straight over the whole of its length. The longitudinal axis of the tube may deviate from a straight line over all or part of its length, and the circumferential shape of the tube may deviate from accurately circular over part or all of its length, due to limitations inherent in the manufacturing processes conventionally employed. As a result, if a pre-determined and invariable pattern of slots is cut into such a tube such defects will be magnified by its subsequent radial expansion and may then exceed acceptable tolerances.

Moreover, in practice, such tubes must be joined together to form a liner of the required overall working length corresponding to the depth of the bore-hole. Accordingly, appropriate coupling fittings must be provided at opposite ends of each tube to form a composite fabrication comprising a tubular element of appropriate length and annular elements forming the coupling fittings at the ends thereof.

Further, each length of such fabricated tube may include one or more additional fittings intermediate its ends, known as "landing rings", which are also formed as separate components, the tube then comprising two (or more) of said tubular elements connected together in end-wise relation by an annular element formed as a landing ring, and the two annular elements forming the end coupling fittings.

Thus, typically, a length of tube as fabricated may comprise at least five elements, namely a female end coupling at one end, a first tubular element, a landing ring, a second tubular element, and a male end coupling at the other end. The couplings and landing ring are fittings that are normally formed to a high degree of accuracy by machining operations, and these fittings necessarily have different characteristics from the tubular elements. However, the individual components are secured together in endwise relation by means such as welding, and the fabrication of the complete tube in this way inevitably introduces variability in a number of respects from one tube to another, even though nominally identical.

In particular, the overall length of the fabricated tube, which is typically in excess of 10 metres, may vary by several millimetres as a result of the accumulated tolerances on the lengths of the individual tubular elements and the thickness of each weld. Additionally, as a result of potential distortions within each tubular element, the couplings at opposite ends of the tube will in general not be accurately in register with one another circumferentially, that is to say one may be angularly offset relative to the other about the centreline of the tube. This is of significance since the couplings are normally formed with axially interfitting formations, and the slots which are formed in the tube must be correctly orientated relative to such interfitting formations at both ends of the tube.

Additionally, the accuracy, with respect to location and length, of the slots which extend across locally thickened portions of the tube, for example in the landing rings and end couplings, is critical.

Accordingly the object of the invention is to facilitate the manufacture of expanded slotted tube in a manner which satisfactorily takes such factors into account.

According to the invention we provide a method of manufacturing an expandable slotted tube of a kind which is fabricated from at least one tubular

element formed by extrusion or similar processes and at least two annular elements formed by machining or like processes and connected to the opposite ends of the tubular element by means of butt joints formed by welding or like processes, wherein axially extending slots are formed at a uniform angular spacing around the periphery of the tube fabricated from said elements and in longitudinally overlapping relation throughout the entire length of said fabricated tube, including said tubular element and said annular elements, the method being characterised by cutting in said annular elements a pattern of overlapping positionally fixed slots in accordance with fixed and invariable parameters with regard to their longitudinal position and length which are pre-determined relative to the dimensions of said annular elements, and cutting in said tubular element a pattern of positionally variable slots that is variable with regard to at least the parameters of longitudinal position and length of the slots in accordance with measured parameters of the fabricated tube so as to achieve the required overlap between said positionally fixed slots and said positionally variable slots.

The method may include the steps of -

- a) establishing longitudinal datum points for each of said annular elements,
 - b) calculating, by reference to said longitudinal datum points and by reference to the pre-determined parameters of longitudinal position and axial length of said positionally fixed slots, the nominal longitudinal position and axial length of said positionally variable slots required to be cut in said tubular element so as to ensure that those positionally variable slots that extend across a joint between said annular elements and said tubular element are longitudinally centred on the joint across which they extend, and the length of each overlap between said positionally variable slots, including said joint-crossing slots, is uniform,
- and

- c) cutting said slots in accordance with said pre-determined and said calculated parameters.

The method also preferably includes the further step of monitoring at the cutting site the position of the local centre-line of the tube and the radial distance from said centre-line to the outer surface of the tube, and recalculating the nominal parameters of the positionally variable slots so as to correct substantially uniformly over the length of the tubular element for any local deviations in the position of the centre-line and/or in circularity of the tubular element.

The method is preferably carried out by commencing the cutting of said slots from one end of the fabricated tube to form said slots progressively along the entire length of the tube.

The longitudinal datum points may include a first point corresponding to a first end of the tube as defined by an end face of the annular element at that end of the tube and a second point corresponding to the other end of the tube as defined by an end face of the annular element at that end of the tube, plus third and fourth points corresponding respectively to the joints between the tubular element and the annular elements at those ends of the tube. It will be appreciated that the annular elements at those ends of the tube may comprise couplings for the releasable connection of two similar tubes, in particular male and female couplings which are adapted to fit at least partially one inside the other and accordingly are in part of greater external diameter than the tubular element to which they are joined.

Normally, the fabricated tube will also include a further such annular element which is disposed intermediate the ends of the tube, which then comprises two of said tubular elements, such intermediate annular element being connected thereto by butt joints. Such intermediate annular element may be formed with an external flange for the purpose of lifting the fabricated tube, and therefore also be of greater external diameter than the tubular element to

which it is joined. In such a case the datum point for this intermediate annular element may be afforded by a radial face of the flange. The method previously described may accordingly be applied to the manufacture of slotted tube of the kind which the tubular element has a further tubular element connected thereto by means of one of said annular elements and said further tubular element has a further annular element connected at the end thereof, and the annular element which is disposed intermediate the tubular elements is formed with an external flange, by establishing a further datum point corresponding to a radial face of the flange on said intermediate annular element.

In accordance with a preferred feature of the invention an angular datum is also established relative to the centre-line of the fabricated tube at one end thereof, and cutting is commenced at the other end so that any angular off-set which is required at the latter end to align the slots correctly with respect to the annular element at that end is determined relative to said angular datum and is included in the re-calculation of the parameters of said positionally variable slots. The angular position of the positionally fixed slots may also be included in this re-calculation.

According to a further aspect the invention also resides in expandable slotted tube as manufactured by the above method.

Further, the invention also resides in a machine for use in the manufacture by the above method of expandable slotted tube of a kind which is fabricated from at least one tubular element formed by extrusion or similar processes and at least two annular elements formed by machining or like processes and connected to the opposite ends of the tubular element by means of butt joints formed by welding or like processes, wherein axially extending slots are formed at a uniform angular spacing around the periphery of the tube fabricated from said elements and in longitudinally overlapping relation throughout the entire length thereof, including said tubular element and said annular elements, and comprising -

- a) means for establishing longitudinal datum points for each of said annular elements,
- b) means for calculating, by reference to said longitudinal datum points and to the pre-determined parameters of longitudinal position and axial length of said positionally fixed slots, the nominal longitudinal position and axial length of said positionally variable slots required to be cut in said tubular element so as to ensure that those positionally variable slots (hereinafter called "joint-crossing" slots) that extend across a joint between said annular elements and said tubular element are longitudinally centred on the joint across which they extend, and the length of each overlap between said positionally variable slots, including said joint-crossing slots, is uniform, and
- c) means for cutting said slots in accordance with said pre-determined and calculated parameters.

The cutting means is preferably arranged to cut said slots progressively from one end of the fabricated tube to form said slots sequentially along the entire length of the tube.

The machine also preferably includes means for monitoring the position of the local centre-line of the tube and the radial distance of the outer surface of the tube at the cutting site from said centre-line, and recalculating the nominal parameters of the positionally variable slots so as to correct substantially uniformly over the length of the tubular element for any local deviations in the position of the centre-line and/or in circularity of the tubular element as the cutting progresses along the tubular element.

Such machine preferably also includes means for establishing an angular datum relative to the centre-line of the fabricated tube at one end thereof, means for providing an angular off-set relative to said angular datum of said cutting means at the other end of the tube to align the slots correctly with respect to the annular element at that end, and means for including said angular

off-set in the re-calculation of the parameters of said positionally variable slots as cutting progresses.

The machine may comprise a plurality of supports adapted to hold a fabricated tube for cutting, an indexing rotator connectable to said tube for rotating said tube about its longitudinal axis in step-wise increments, a longitudinal guide defining a first longitudinal axis parallel to that of said tube when mounted on said supports, a main carriage mounted on said longitudinal guide for movement along said first longitudinal axis and along the entire length of said tube, a sub-carriage mounted on said main carriage for movement relative thereto on two transverse axes relative to said longitudinal axis of the tube so that said sub-carriage can thereby be centred relative to said longitudinal axis of the tube and for movement on a second longitudinal axis which is parallel to said first longitudinal axis, at least one slot cutter mounted on said sub-carriage for movement radially relative to said longitudinal axis of the tube, and a control system operative to move said main carriage through a succession of working positions along the longitudinal guide, in each of which positions the sub-carriage is centred relative to said longitudinal axis of the tube and a sequence of slot cutting operations is performed by moving said sub-carriage along said second longitudinal axis while said slot cutter is operated to cut a slot of pre-determined length, rotationally indexing said tube and returning said sub-carriage to its starting position on said second longitudinal axis and repeating the cutting operations until all the required slots are formed at each of said working positions.

Preferably, the machine includes a plurality, e.g. four, of said slot cutters which are arranged at equal spacings around longitudinal axis of the tube so that a plurality of slots can be cut simultaneously each time the tube is indexed. The slot cutters are preferably abrasive water-jet cutters, although other types of cutter could be employed.

These and other aspects of the invention will now be described by way of example with reference to the accompanying drawings wherein:-

FIGURE 1 is a diagrammatic illustration of a typical fabricated tube prior to slotting;

FIGURE 2 is a diagrammatic illustration of the way in which the male and female couplings at opposite ends of the tube may be angularly offset relative to one another;

FIGURE 3 illustrates diagrammatically a section through a female connector at one end of the fabricated tube and a developed view of the slot pattern which requires to be cut;

FIGURE 4 shows, in a manner similar to Figure 3, the required slot pattern in a male connector at the other end of the fabricated tube;

FIGURE 5 shows, in a manner similar to Figure 3, the required slot pattern in a landing ring inserted at a position intermediate the ends of the tube;

FIGURE 6 is a plan view of a machine in accordance with the invention for cutting the required slots in the tube shown in Figure 1;

FIGURE 7 is an end view of the machine;

FIGURE 8 is view of a carriage assembly in the same direction as that of Figure 7;

FIGURE 9 illustrates in more detail the arrangement of cutter jets incorporated in the machine; and

FIGURE 10 illustrates the arrangement of one of several probes incorporated in the machine.

As shown in Figure 1, a fabricated tube 10 of the kind to which the present invention is applied comprises an end fitting 11 serving as a female coupling, a shorter tubular element 12, a landing ring 13, a longer tubular element 14, and a further end fitting 15 serving as a male coupling. The end fittings 11 and 15, and the landing ring 13, are each formed as machined components of accurately determined length, diameter and circularity etc., but

the tubular elements 12 and 14 are conventionally formed by extrusion and generally will not be truly straight throughout their lengths, and may not be truly cylindrical in shape at all points along their lengths, and indeed the tolerance on wall thickness and outside diameter may be significantly greater than that which is applicable to the machined components. The five components are secured together endwise by butt welding to form joints as shown at 16, 17, 18 and 19, and the thickness of each butt weld is somewhat variable with the result that the overall length of the tube 10 as fabricated may vary from the nominal value by several millimetres, in a total length which in many cases will exceed 10 metres. Typically, the outside diameter of the tubular elements may be between approximately 10 and 40 cm.

The female coupling 11 includes a body portion 21 of the same nominal diameter and wall thickness as the adjacent tubular element 12, with an external flange 22 near the end 23 at which it is welded to tubular element 12. The flange 22 divides the body portion 21 into outer and inner sections 21a and 21b respectively. At the opposite end 24 the female coupling 11 is formed with a widened end portion 25 which is formed with internal circumferentially extending serrations (not shown) and with a plurality of circumferentially spaced holes 26 which are adapted to receive locking plungers (not shown) for the purpose of locking in place the complementary male coupling 15 which is provided at the other end of a similar tube to which the tube 10 will, in use, be connected.

The male coupling 15 similarly includes a body portion 31 which is also of the same nominal diameter and wall thickness as the adjacent tubular element 14, and is formed with a first external flange 32 at a position spaced from the end 33 at which it is welded to the adjacent tubular element 14, and a second external flange 35 spaced from the opposite end 34. The flanges 32 and 35 divide the body portion 31 into outer, middle and inner sections 31a, 31b and 31c respectively. Adjacent the end 34 the male coupling 15 is formed with

external circumferentially extending serrations (not shown) which are adapted to mate with the internal serrations of a female coupling 11 when two such tubes 10 are joined together. A plurality of circumferentially spaced recesses 36 are formed in the outer end 34 and arranged to receive the locking plungers previously mentioned so as to prevent relative rotation of two tubes 10 when joined together.

The landing ring 13 comprises a cylindrical body 41 having an external flange 42 at a position intermediate the ends 43, 44 whereby it is welded to the adjacent tubular elements 12 and 14 respectively. The flange 42 divides the body 41 into first and second portions 41a and 41b respectively.

Figure 2 is a diagrammatic illustration of the way in which the male and female couplings at opposite ends of the tube 12 may be angularly offset relative to one another as a result of distortions and/or inaccuracies in the welding of the various components during the fabrication of the tube. Thus, a specific locking plunger in the female coupling 11 may be angularly offset from an angular datum point D_a by an angle α_1 which differs, positively or negatively, from the angle α_2 at which the corresponding recess 36 is offset from the datum D_a at the male coupling end of the tube.

To enable the entire tube 10 to be expanded uniformly throughout its length a series of longitudinally extending overlapping slots requires to be cut through the entire wall thickness of the tube throughout its entire length.

In cutting the required pattern of slots, account has to be taken of variations arising from the fact that the tubular elements 12 and 14 may not be truly straight or circular in section and may not be cut to precisely controlled lengths, the fact that there may be variations in the dimensional layout of each joint as a result of manufacturing tolerances in the extrusion of the tubular elements and in the butt welding operations, the fact that slot widths need to be maintained constant despite potentially differing wall thicknesses at different

points along the length of the tube, and the fact that there may be angular misalignment between the opposite ends of the tube.

Because the overall length L of the female connector 11, which is made by a machining operation, is known to a high degree of accuracy, the required slot pattern as shown in Figure 3 is essentially pre-determined by the dimensions of this component.

In the example illustrated in Figure 3, the female connector 11 is formed with three rows of overlapping slots 27, 28, 29. The slots 27 are required to extend from the outer end 24, across the widened end portion 25 and into the outer section 21a; the slots 28 are required to extend wholly within the outer section 21a; and the slots 29 are required to extend from the outer section 21a, across the flange 22 and into the inner section 21b of the body portion 21. To achieve uniform expansion despite the varying geometry of the component, it is required that the slots overlap uniformly by a distance d^0 and that the slots 29 are longitudinally centred on the flange 22. Because the dimensions of the female coupling 11 are accurately controlled during manufacture, the lengths L^{27} , L^{28} and L^{29} of the slots 27, 28 and 29 respectively, and their circumferential spacing can be regarded as essentially predetermined and invariable for any given coupling and these slots are accordingly positionally fixed. Their overlap d^0 is also predetermined for any specific nominal length of fabricated tube 10.

The next row of slots 30 which are required to extend across the joint 16 and into the adjacent tubular element 12 may also be of a predetermined length L^{30} and have the same overlap d^0 with slots 29. However, since the thickness of the weld 16 cannot be closely controlled, the distance d^1 between the end of the tubular element 12 and the ends of the slots 30 is indeterminate.

In a similar manner, the slot pattern required in the male connector 15 includes three rows of overlapping slots 37, 38, 39. The slots 37 are required to extend from the outer end 34, across the outer section 31a and the flange 35 and into the middle section 31b; the slots 38 are required to

extend wholly within the middle section 31b; and the slots 39 are required to extend from the middle section 31b, across the flange 32 and into the inner section 31c of the body portion 31. To achieve uniform expansion despite the varying geometry of the component, it is again required that the slots overlap uniformly by a distance d^0 and that the slots 39 are longitudinally centred on the flange 32. Because the dimensions of the male coupling 15 are accurately controlled during manufacture, the lengths L^{37} , L^{38} and L^{39} of the slots 37, 38 and 39 respectively, and their circumferential spacing can be regarded as essentially predetermined and invariable for any given coupling and these slots are accordingly positionally fixed. Their overlap d^0 is also predetermined for any specific nominal length of fabricated tube 10.

The next row of slots 40 which are required to extend across the joint 19 and into the adjacent tubular element 14 may also be of a predetermined length L^{40} and have the same overlap d^0 with slots 39. However, since the thickness of the weld 19 cannot be closely controlled, the distance d^2 between the end of the tubular element 14 and the ends of the slots 40 is indeterminate.

The slots 46, to be formed in the landing ring 13, which is likewise a machined component, have a predetermined length L^{46} and must be centred on the flange 42 as illustrated in Figure 4. The adjacent slots 45 and 47 which extend from the sections 41a and 41b respectively and over the joints 17 and 18 are required to overlap the slots 46 by the predetermined distance d^0 at each end. However, because of the indeterminate thickness of the welds 16 and 17, if an invariable slot pattern is followed along the length of the tubular element 12 the distance d^1 of the ends of the slots 45 from the end 43 of the landing ring 13 will also be indeterminate, with the result that the length of the overlap with slots 46 will be indeterminate.

Thus, in accordance with the invention, the slots which are formed in the tubular element 12, including the joint-crossing slots 30 and 45 and all those between these slots, are not cut to a strictly predetermined pattern, but instead

are variable in position and length so as to accommodate the variations which will occur between different tubes 10 of the distance between the end 24 of the female connector 11 and the end 43 of the landing ring 13. In this way, by varying the length of the slots cut in tubular element 12 in accordance with the measured parameters of the tube 10 undergoing cutting, the required constant overlap d^0 between the slots from slots 30 up to and including slots 45 can be maintained. In a similar manner the slots to be formed in the tubular element 14, including slots joint-crossing slots 47 and 40, are likewise of variable length to ensure that the required predetermined overlap d^0 is maintained throughout the remaining length of the tube 10 despite the variable thickness of the welds 18 and 19.

In addition, because the tubular elements 12,14 may not be accurately round, or indeed of non-varying diameter along their lengths, and because of the possible angular offset between opposite ends of the tube, adjustments are made to the slot pattern in the tubular elements 12,14 to accommodate such variations as are determined to exist in the tube being cut.

These adjustments are achieved in accordance with the invention by determining certain datum points on the tube and re-computing the lengths of the positionally variable slots to ensure the required overlap with each other and with the positionally fixed slots, and monitoring deviations in circularity and centreline along at least the lengths of tubular elements 12,14 and making appropriate compensatory corrections in order to maintain an optimum pattern of slots for the purpose of achieving uniform expansion.

As shown in Figures 5 to 9, the machine 50 in accordance with the invention for cutting the required pattern of slots in the tube 10 includes a pair of parallel steel frames 51 each carrying a precision rail and defining a longitudinal axis for the movement of a main carriage 53 over the entire length of the tube 10 which is supported along its length on variable height roller assemblies 52 which are fitted to pneumatic cylinders so that they can be pulled

down individually as the main carriage 53 travels along the length of the tube 10. For this purpose, the main carriage 53 carries an electric motor which drives a pinion meshing with a rack adjacent to one of the rails.

The main carriage 53 supports a sub-carriage 54 in such a way that it is self-centring with respect to tube 10. For this purpose the sub-carriage 54 is movable transversely relative to the main carriage by means of an actuator 55, and vertically by means of actuators 56. The sub-carriage 54 carries four probes 57 arranged respectively above, below and on each side of the longitudinal centreline of the tube. The probes may include feelers which have mechanical contact with the external surface of the tube, but preferably are of a contactless type, in particular a laser probe which determines the spacing between the probe and the surface of tube. Data from these probes is used to control the actuators 55 and 56 so that the carriage can be centred onto the tube 10 prior to the commencement of the cutting of each row of slots.

The sub-carriage 54 is also movable relative to the main carriage in a direction longitudinally of the tube by means of a high precision ballscrew (not shown).

The sub-carriage 54 also carries four water-jet cutters 59 mounted concentrically around the tube centreline at 45° to the vertical so as to surround the tube. The cutters are individually movable towards and away from the tube by means of respective actuators 60 which are controlled in accordance with data from the probes 57 so that the ride height of the cutter jets 59 is continuously adjusted in accordance with the contour of the tube 10.

At one end, the machine 50 includes a rotatable head 61 which is capable of releasable connection to the adjacent end of tube 10 in such a manner that the tube can be rotated about its longitudinal axis.

In use, the tube 10 is positioned on the supports 52 and coupled to the rotatable head 61. The sub-carriage 54 is set to a "zero" position longitudinally of the main carriage 53 and the main carriage itself is positioned at the end of

the machine adjacent to the rotatable head 61. The datum points of the tube 10 in place are then established. This is achieved by firstly operating the rotatable head 61 to align one of the locking plunger holes 26 with the angular datum position D_a . The main carriage 53 is then advanced along the rails to bring the cutter jets 59 accurately into line with the end 24 of the tube and establish datum point D_1 . The main carriage 53 is then moved until the cutter jets are advanced to the centre of the butt weld 16 to define datum point D_2 , advanced to align the cutter jets with the side face of the flange 42 nearest the end 24 of the tube to establish datum point D_3 , advanced further to bring the cutter jets to the centre of the butt weld 19 and establish datum point D_4 , and finally to bring the cutter jets into register with the opposite end 34 of the tube 10 to establish datum D_5 . The rotation head 61 is then operated to bring the nearest of the recesses 36 to the angular datum point D_a and thereby establish any angular offset between the two ends of the tube.

From the established datum values, and the parameters of the positionally fixed slots which are predetermined by the known sizes of the machined components 11, 13 and 15, the required slot pattern for the tubular elements 12 and 14 is computed and cutting is commenced from the end of the machine furthest from the rotatable head 61.

The sequence of cutting operations is as follows. Firstly, the sub-carriage 54 is centred relative to the tube 10, and the cutter jets are set to the required height above the outer surface of the tube. The cutter jets are then brought into operation and the sub-carriage 54 on which they are mounted is then moved longitudinally relative to the main carriage 53 through a distance corresponding to the desired length of the first row of slots. With the main carriage 53 remaining in the same position, the sub-carriage 54 is returned to its starting point, whilst the cutting jets are inoperative, and the rotatable head 61 is moved through the required angular distance so that the points at which the next four slots are to be cut then register with the cutter jets. This operation is

repeated, four times in the case of the illustrated embodiment, until a complete ring of slots is formed, whereupon the main carriage 53 is advanced by the distance necessary to bring the cutter jets to the position at which the next ring of slots is to be cut, with the defined overlap d^0 , and the cutting sequence is repeated in this way throughout the whole length of the tube 10. At the beginning of each cutting cycle readings from the probes 54 are used to detect deviations in the longitudinal centreline of the tube from the ideal straight line axis, and any deviations in the shape of the exterior surface of the tubular elements from the ideal true circle. This data is used to adjust the parameters of the positionally variable slots in real-time as the cutter jets are advanced. The cutter jets themselves are also moved automatically in the radial direction so as to maintain the optimum spacing from the external surface of the tube at all points along its length.

In this way, the desired value of overlap d^0 is achieved despite variations in the overall length of one tube as compared with another due to the tolerances on the butt welds, and additionally, the angular spacing of the slots is varied as necessary within, and between, each ring of positionally variable slots in order to compensate for local deviations of the longitudinal axis of the tube and/or circularity.

CLAIMS

1. A method of manufacturing an expandable slotted tube of a kind which is fabricated from at least one tubular element formed by extrusion or similar processes and at least two annular elements formed by machining or like processes and connected to the opposite ends of the tubular element by means of butt joints formed by welding or like processes, wherein axially extending slots are formed at a uniform angular spacing around the periphery of the tube fabricated from said elements and in longitudinally overlapping relation throughout the entire length of said fabricated tube, including said tubular element and said annular elements, the method being characterised by cutting in said annular elements a pattern of overlapping positionally fixed slots in accordance with fixed and invariable parameters with regard to their longitudinal position and length which are pre-determined relative to the dimensions of said annular elements, and cutting in said tubular element a pattern of positionally variable slots that is variable with regard to at least the parameters of longitudinal position and length of the slots in accordance with measured parameters of the fabricated tube so as to achieve the required overlap between said positionally fixed slots and said positionally variable slots.
2. The method according to Claim 1 comprising the steps of -
 - a) establishing longitudinal datum points for each of said annular elements,
 - b) calculating, by reference to said longitudinal datum points and by reference to the pre-determined parameters of longitudinal position and axial length of said positionally fixed slots, the nominal longitudinal position and axial length of said positionally variable slots required to be

cut in said tubular element so as to ensure that those positionally variable slots that extend across a joint between said annular elements and said tubular element are longitudinally centred on the joint across which they extend, and the length of each overlap between said positionally variable slots, including said joint-crossing slots, is uniform, and

c) cutting said slots in accordance with said pre-determined and said calculated parameters.

3. The method according to Claim 2 wherein the longitudinal datum points may include a first point corresponding to a first end of the tube as defined by an end face of the annular element at that end of the tube and a second point corresponding to the other end of the tube as defined by an end face of the annular element at that end of the tube, plus third and fourth points corresponding respectively to the joints between the tubular element and the annular elements at those ends of the tube.

4. The method according to Claim 3 for the manufacture of slotted tube of the kind which the tubular element has a further tubular element connected thereto by means of one of said annular elements and said further tubular element has a further annular element connected at the end thereof, and the annular element which is disposed intermediate the tubular elements is formed with an external flange, wherein a further datum point is established corresponding to a radial face of the flange on said intermediate annular element.

5. The method according to any one of claim 2 to 4 wherein an angular datum is also established relative to the centre-line of the fabricated tube at one end thereof, and cutting is commenced at the other end so that any angular off-

set which is required at the latter end to align the slots correctly with respect to the annular element at that end is determined relative to said angular datum and is included in the re-calculation of the parameters of said positionally variable slots.

6. The method according to Claim 5 wherein the angular position of the positionally fixed slots is also included in said re-calculation.
7. The method according to Claim 2 and including the further step of monitoring at the cutting site the position of the local centre-line of the tube and the radial distance from said centre-line to the outer surface of the tube, and recalculating the nominal parameters of the positionally variable slots so as to correct substantially uniformly over the length of the tubular element for any local deviations in the position of the centre-line and/or in circularity of the tubular element.
8. The method according to any one of the preceding claims wherein the cutting step is carried out by commencing the cutting of said slots from one end of the fabricated tube to form said slots progressively along the entire length of the tube.
9. Expandable slotted tube as manufactured by the method as claimed in any one of the preceding claims..
10. A machine for use in the manufacture by the method as claimed in any one of claims 1 to 8 of expandable slotted tube of a kind which is fabricated from at least one tubular element formed by extrusion or similar processes and at least two annular elements formed by machining or like processes and connected to the opposite ends of the tubular element by means of butt joints

formed by welding or like processes, wherein axially extending slots are formed at a uniform angular spacing around the periphery of the tube fabricated from said elements and in longitudinally overlapping relation throughout the entire length thereof, including said tubular element and said annular elements, and comprising -

- a) means for establishing longitudinal datum points for each of said annular elements,
- b) means for calculating, by reference to said longitudinal datum points and to the pre-determined parameters of longitudinal position and axial length of said positionally fixed slots, the nominal longitudinal position and axial length of said positionally variable slots required to be cut in said tubular element so as to ensure that those positionally variable slots that extend across a joint between said annular elements and said tubular element are longitudinally centred on the joint across which they extend, and the length of each overlap between said positionally variable slots, including said joint-crossing slots, is uniform, and
- c) means for cutting said slots in accordance with said pre-determined and calculated parameters.

11. A machine according to Claim 10 further comprising means for establishing an angular datum relative to the centre-line of the fabricated tube at one end thereof, means for providing an angular off-set relative to said angular datum of said cutting means at the other end of the tube to align the slots correctly with respect to the annular element at that end, and means for including said angular off-set in the re-calculation of the parameters of said positionally variable slots as cutting progresses.

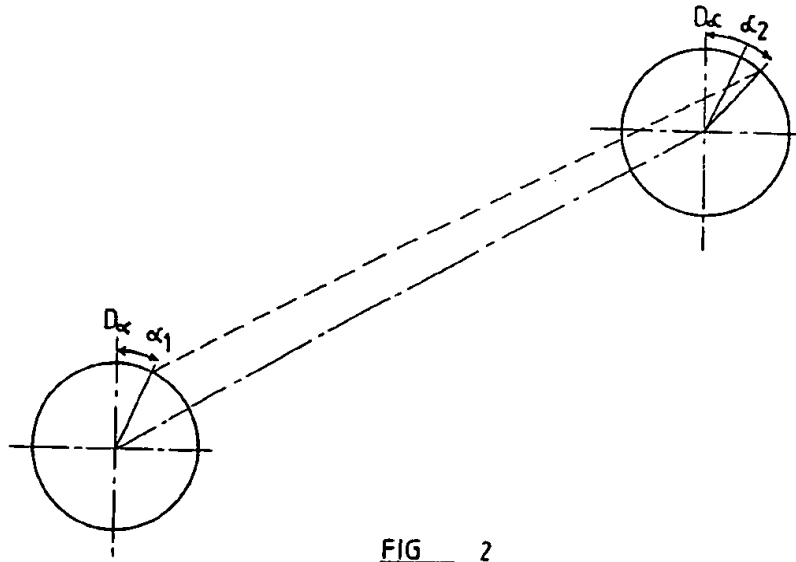
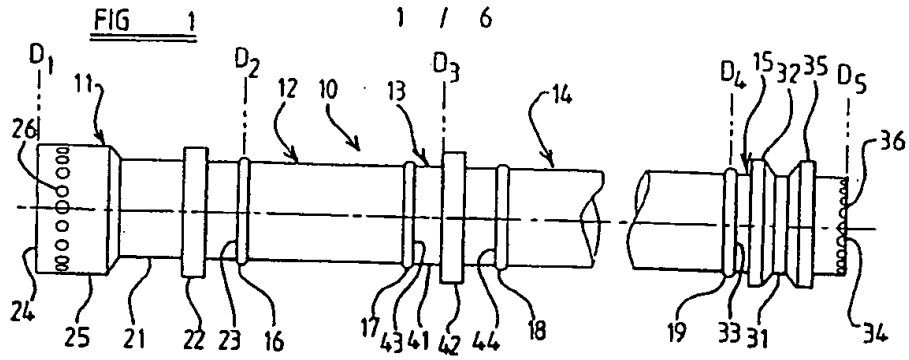
12. A machine according to Claim 10 further comprising means for monitoring the position of the local centre-line of the tube and the radial distance of the outer surface of the tube at the cutting site from said centre-line, and recalculating the nominal parameters of the positionally variable slots so as to correct substantially uniformly over the length of the tubular element for any local deviations in the position of the centre-line and/or in circularity of the tubular element as the cutting progresses along the tubular element.
13. A machine according to Claim 10 wherein the cutting means is arranged to cut said slots progressively from one end of the fabricated tube to form said slots sequentially along the entire length of the tube.
14. A machine according to any one of claims 10 to 13 comprising:
- a plurality of supports adapted to hold a fabricated tube for cutting,
 - an indexing rotator connectable to said tube for rotating said tube about its longitudinal axis in step-wise increments,
 - a longitudinal guide defining a first longitudinal axis parallel to that of said tube when mounted on said supports,
 - a main carriage mounted on said longitudinal guide for movement along said first longitudinal axis and along the entire length of said tube,
 - a sub-carriage mounted on said main carriage for movement relative thereto on two transverse axes relative to said longitudinal axis of the tube so that said sub-carriage can thereby be centred relative to said longitudinal axis of the tube and for movement on a second longitudinal axis which is parallel to said first longitudinal axis,
 - at least one slot cutter mounted on said sub-carriage for movement radially relative to said longitudinal axis of the tube, and
 - a control system operative to move said main carriage through a succession of working positions along the longitudinal guide, in each of which

positions the sub-carriage is centred relative to said longitudinal axis of the tube and a sequence of slot cutting operations is performed by moving said sub-carriage along said second longitudinal axis while said slot cutter is operated to cut a slot of pre-determined length, rotationally indexing said tube and returning said sub-carriage to its starting position on said second longitudinal axis and repeating the cutting operations until all the required slots are formed at each of said working positions.

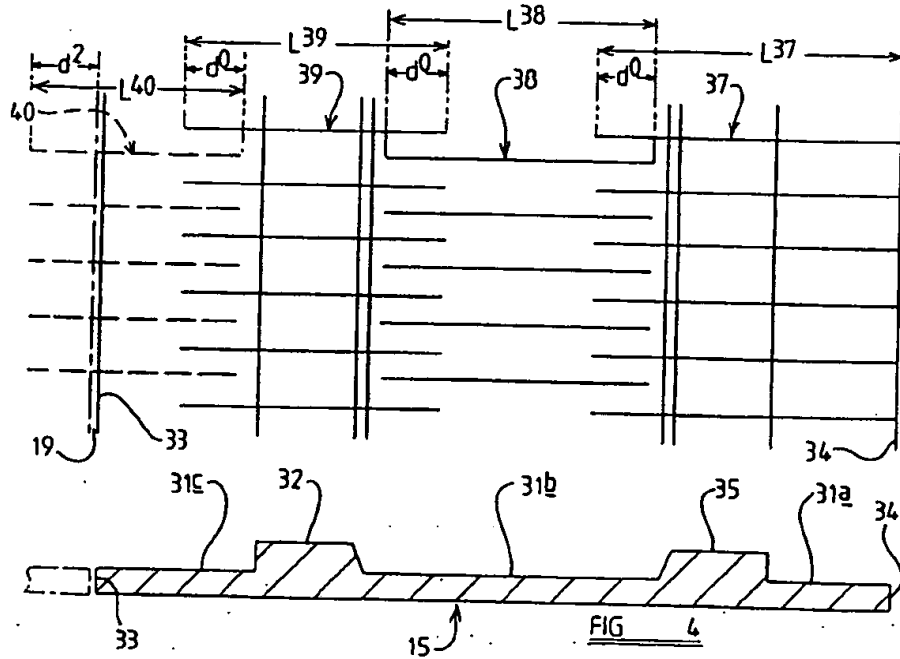
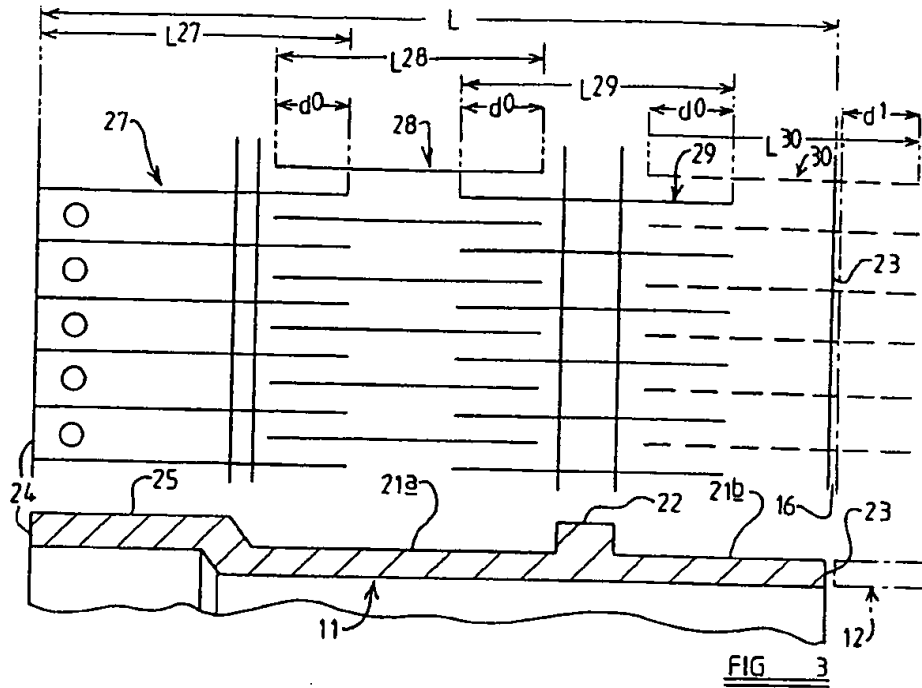
15. A machine according to Claim 14 which includes a plurality of said slot cutters which are arranged at equal spacings around longitudinal axis of the tube so that a plurality of slots can be cut simultaneously each time the tube is indexed.

16. A machine according to Claim 15 having four of said slot cutters.

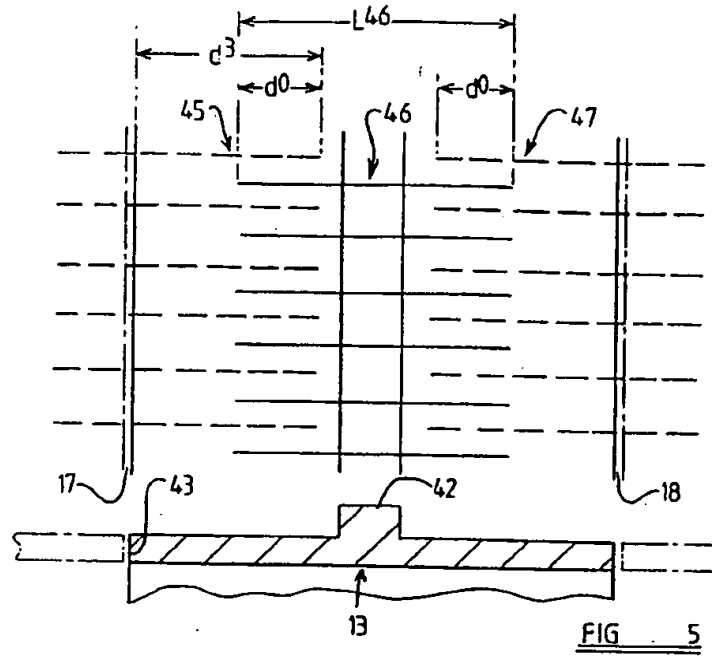
17. A machine according to Claim 14 wherein the slot cutters are abrasive water-jet cutters.



2 / 6



3 / 6



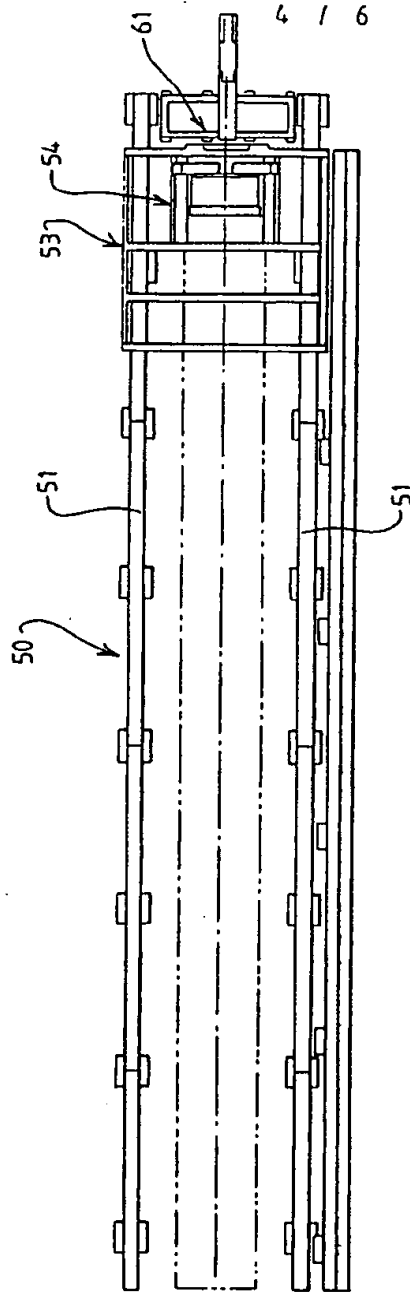
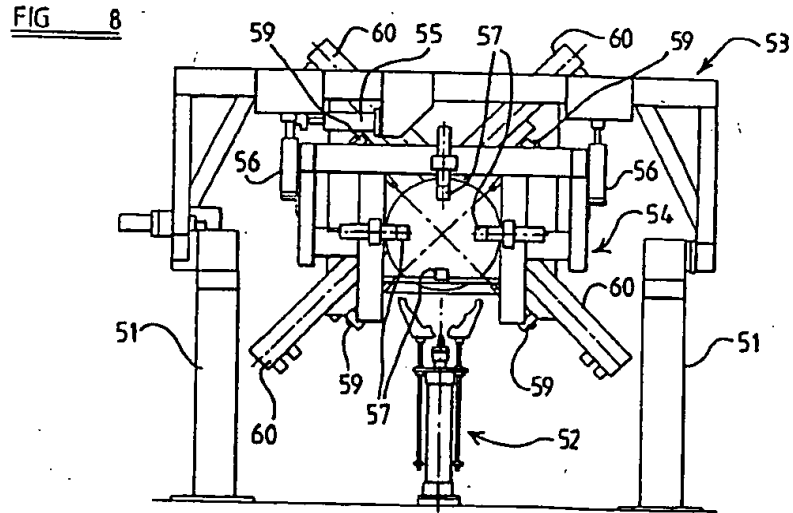
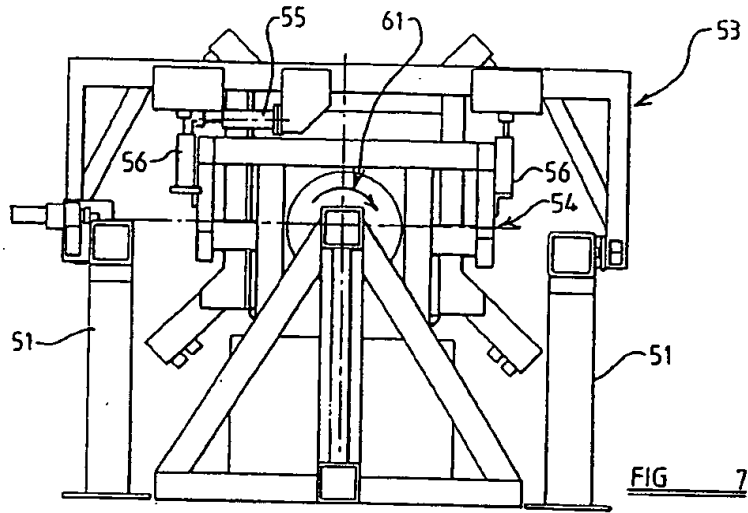


FIG 6



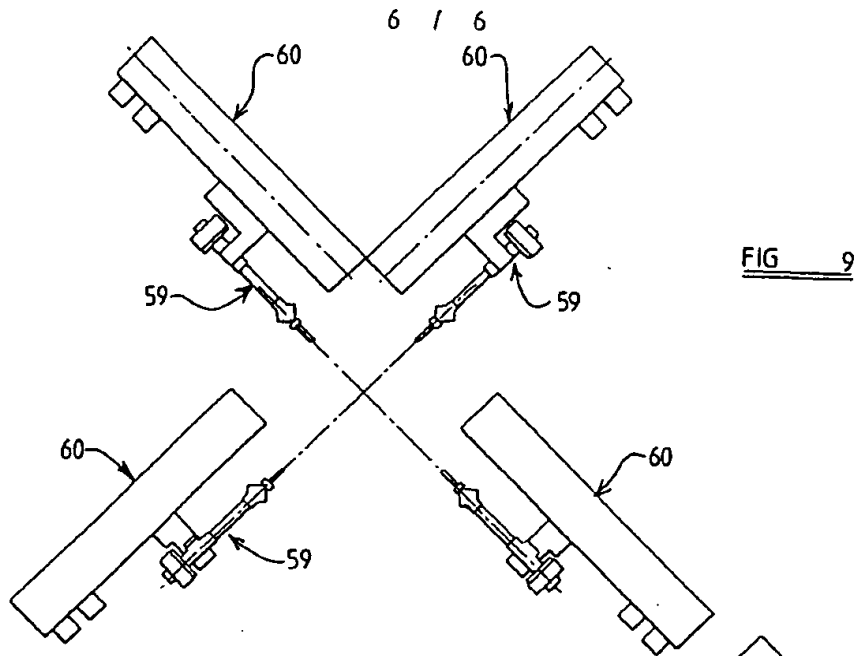


FIG 9

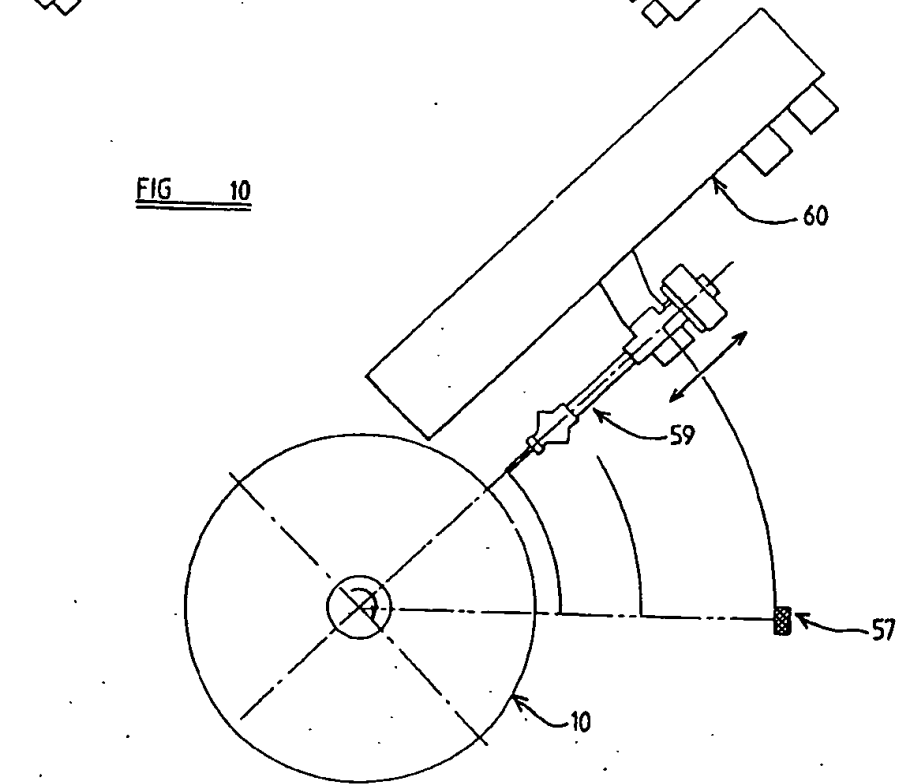


FIG 10

INTERNATIONAL SEARCH REPORT

International Application No.
PCT/GB 98/03478

A. CLASSIFICATION OF SUBJECT MATTER IPC 6 B26F1/00 B26D05/00		
According to International Patent Classification (IPC) or to both national classification and IPC		
B. FIELDS SEARCHED Minimum documentation searched (classification system followed by classification symbols) IPC 6 E21B B23D B26D G05B B26F		
Documentation searched other than minimum documentation to the extent that such documents are included in the fields searched		
Electronic data base consulted during the international search (name of data base and, where practical, search terms used)		
C. DOCUMENTS CONSIDERED TO BE RELEVANT		
Category*	Citation of document, with indication, where appropriate, of the relevant passages	Relevant to claim No.
A	DE 42 19 431 A (SEUFERT ALBERT) 5 January 1994 see column 3, line 35 - line 55	1,10
A	DE 32 13 464 A (SCHAUBSTAHL WERKE) 13 October 1983 see abstract; figures	1,10
A	WO 97 21901 A (CAMPBELL ALASDAIR ;METCALFE PAUL DAVID (GB); PETROLINE WIRELINE SE) 19 June 1997 see abstract; figures	1,9,10
A	WO 96 37680 A (SHELL CANADA LTD ;LOHBECK WILHELMUS CHRISTIANUS (NL); SHELL INT RE) 28 November 1996 see abstract; figures	1,9,10
<input type="checkbox"/> Further documents are listed in the continuation of box C. <input checked="" type="checkbox"/> Patent family members are listed in annex.		
* Special categories of cited documents : "A" document defining the general state of the art which is not considered to be of particular relevance "E" earlier document but published on or after the international filing date "L" document which may throw doubts on priority claim(s) or which is cited to establish the publication date of another citation or other special reason (as specified) "O" document referring to an oral disclosure, use, exhibition or other means "P" document published prior to the international filing date but later than the priority date claimed "T" later document published after the international filing date or priority date and not in conflict with the application but cited to understand the principle or theory underlying the invention "X" document of particular relevance; the claimed invention cannot be considered novel or cannot be considered to involve an inventive step when the document is taken alone "Y" document of particular relevance; the claimed invention cannot be considered to involve an inventive step when the document is combined with one or more other such documents, such combination being obvious to a person skilled in the art. "Z" document member of the same patent family		
Date of the actual completion of the international search	Date of mailing of the international search report	
8 February 1999	15/02/1999	
Name and mailing address of the ISA European Patent Office, P. B. 5818 Patentlaan 2 NL - 2280 HV Rijswijk Tel (+31-70) 340-2040, Tx. 31 651 epe nl Fax: (+31-70) 340-3018		Authorized officer Vaglienti, G